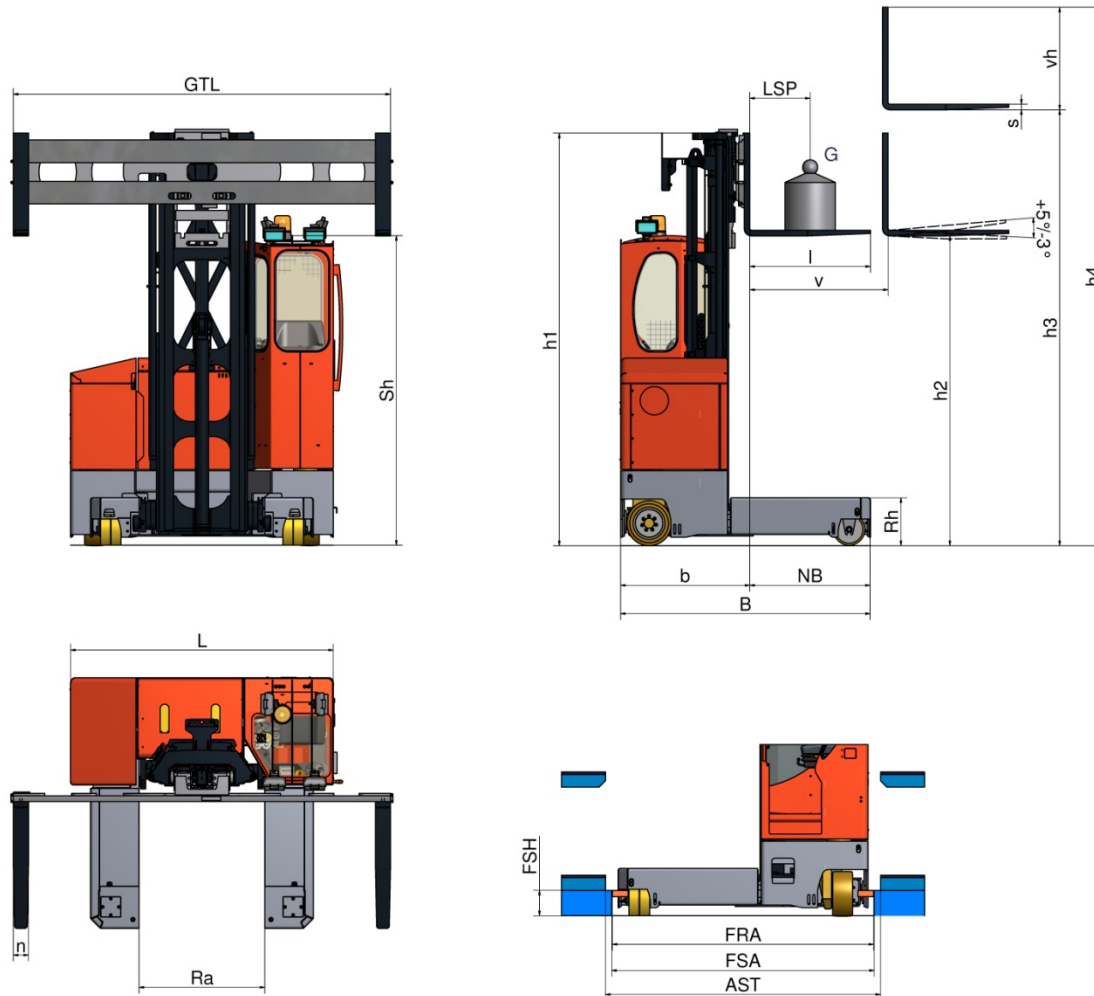


Series 2120 - PU / EL, Model M 15 / 20 / 25 / 30

HUBTEX.

- Multidirectional steering
- Electric drive
- Capacities up to 3000 kg
- Lift heights up to 7500 mm
- Loadbed width up to 1600 mm



ELECTRIC MULTIDIRECTIONAL SIDELOADER

Characteristics	1.1	Series		2120-PU1		2120-PU				2120-EL				
	1.2	Model	Manufacturer's identification		MQ 15	MQ 20	MQ 15	MQ 20	MQ 25	MQ 30	MQ 15	MQ 20	MQ 25	MQ 30
	1.3	Capacity	Q at standard lift height	kg	1500	2000	1500	2000	2500	3000	1500	2000	2500	3000
	1.4	Loadcenter	lc = distance	mm	600	600	600	600	600	600	600	600	600	600
	1.6	Power supply	electric / Diesel / LPG		electric	electric	electric	electric	electric	electric	electric	electric	electric	electric
	1.7	Type of steering	V = fourway / M = multidirectional / 2 = towway		M	M	M	M	M	M	M	M	M	M
	1.71	Position of seat	Q = cross / D = diagonal / L = lateral / SU = stand up		Q	Q	Q	Q	Q	Q	Q	Q	Q	Q
	1.8	Tyres	PU = Vulkollan / EL = elastic		PU	PU	PU	PU	PU	PU	EL	EL	EL	EL
	1.9	Wheels (X = powered)	number	pcs.	6 / 1X	6 / 1X	6 / 2X	6 / 2X	6 / 2X	6 / 2X	6 / 2X	6 / 2X	6 / 2X	6 / 2X
Dimensions	2.1	Mast	h3 = lift height standard / max.	mm	3000 - 7500	3000 - 7500	3000 - 7500	3000 - 7500	3000 - 7500	3000 - 7500	3000 - 6000	3000 - 6000	3000 - 6000	3000 - 6000
	2.21	Fork cross section	s / b = thickness / width	mm	40 / 120	40 / 120	40 / 120	40 / 120	45 / 120	45 / 120	40 / 120	40 / 120	45 / 120	45 / 120
	2.22	Fork length	l = NB from / to	mm	800 - 1400	800 - 1400	800 - 1600	800 - 1600	800 - 1600	800 - 1600	800 - 1600	800 - 1400	800 - 1400	800 - 1400
	2.23	Fork tilt	standard	degree	+5 / -3	+5 / -3	+5 / -3	+5 / -3	+5 / -3	+5 / -3	+5 / -3	+5 / -3	+5 / -3	+5 / -3
	2.31	Overall dimensions	L = truck length	mm	2090	2090	2090	2090	2090	2090	2090	2090	2090	2090
	2.32		Sh = height over cabin roof "Q"	mm	2455	2455	2455	2455	2455	2455	2480	2480	2480	2480
	2.33		b = width to edge of forks	mm	1030 - 1080	1030 - 1080	1030 - 1080	1030 - 1080	1030 - 1080	1030 - 1080	1030 - 1080	1030 - 1080	1030 - 1080	1030 - 1080
	2.34		NB = loadbed width from / to	mm	800 - 1400	800 - 1400	800 - 1600	800 - 1600	800 - 1600	800 - 1600	800 - 1600	800 - 1600	800 - 1600	800 - 1600
	2.35		B = truck width (at NB 1200 mm)	mm	2230 - 2280	2230 - 2280	2230 - 2280	2230 - 2280	2230 - 2280	2230 - 2280	2230 - 2280	2230 - 2280	2230 - 2280	2230 - 2280
	2.36		Rh = loadbed height	mm	375	375	375	375	375	375	500	500	500	500
	2.37		Ra = loadbed opening	mm	1000	1000	1000	1000	1000	1000	1000	1000	1000	1000
2.4	Mast reach	V (at NB 1200 mm)	mm	1300	1300	1300	1300	1300	1300	1300	1300	1300	1300	
2.52	Aisle width	AST (at NB 1200 mm)	mm	2430 - 3280	2430 - 3280	2430 - 3280	2430 - 3280	2430 - 3280	2430 - 3280	2430 - 3280	2430 - 3280	2430 - 3280	2430 - 3280	
Wght.	3.1	Empty weight	incl. battery	appr. kg	4200	4500	4300	4600	4800	5000	4500	4800	5000	5000
	3.2	Floor load	incl. nominal load (static)	N/cm ²	420	440	430	450	460	480	290	295	300	300
Performance	4.1	Stability	according to CE-regulations	yes/no	yes	yes	yes	yes	yes	yes	yes	yes	yes	yes
	4.21	Speeds	travel speed with / without nominal load	km/h	6 / 6	6 / 6	8 / 8	8 / 8	8 / 8	8 / 8	8 / 8	8 / 8	8 / 8	8 / 8
	4.22		lifting speed with / without nominal load	m/s	0,24 / 0,30	0,22 / 0,30	0,24 / 0,30	0,22 / 0,30	0,20 / 0,30	0,20 / 0,30	0,24 / 0,30	0,22 / 0,30	0,20 / 0,30	0,20 / 0,30
	4.23		lowering speed with / without nominal load	m/s	0,30 / 0,28	0,31 / 0,28	0,30 / 0,28	0,31 / 0,28	0,32 / 0,28	0,33 / 0,28	0,30 / 0,28	0,31 / 0,28	0,32 / 0,28	0,32 / 0,28
	4.24		mast travel speed with / without nominal load	m/s	0,20 / 0,20	0,20 / 0,20	0,20 / 0,20	0,20 / 0,20	0,20 / 0,20	0,20 / 0,20	0,20 / 0,20	0,20 / 0,20	0,20 / 0,20	0,20 / 0,20
4.31	Ramp capability	max. with / without nominal load	%	3 / 5	3 / 5	8 / 12	8 / 12	8 / 12	7 / 12	6 / 9	6 / 9	6 / 9	6 / 9	
Wheels + tyres	5.11	Tyres	number load side / drive side	pcs.	4 / 2	4 / 2	4 / 2	4 / 2	4 / 2	4 / 2	4 / 2	4 / 2	4 / 2	4 / 2
	5.12		dimensions load wheels	mm	250 x 80					377 x 110				
	5.13		dimensions drive wheels	mm	343 x 114					365 x 160				
	5.3	Ground clearance		mm	75	75	75	75	75	75	90	90	90	90
5.41	Service brakes			via drive pedal activated electronical plugging brake										
5.42	Parking brake			spring-loaded brake with electromagnetic release										
Drive unit	6.11	Battery	capacity	V/Ah	48 V - 4 EPzS - 620 Ah / 48 V - 5 EPzS - 775 Ah									
	6.12		minimum weight	kg	955	955	955	955	955	955	955	955	955	955
	6.21	Electric motors	drive motor rating (s2 = 60 min)	kW	1 x 4,0	1 x 4,0	2 x 4,0	2 x 4,0	2 x 4,0	2 x 4,0	2 x 4,0	2 x 4,0	2 x 4,0	2 x 4,0
	6.22		lifting motor rating	kW	1 x 8,0	1 x 8,0	1 x 8,0	1 x 8,0	1 x 8,0	1 x 8,0	1 x 8,0	1 x 8,0	1 x 8,0	1 x 8,0
	6.23		steering motor rating	kW	1 x 3,0	1 x 3,0	1 x 3,0	1 x 3,0	1 x 3,0	1 x 3,0	1 x 3,0	1 x 3,0	1 x 3,0	1 x 3,0
	6.31	Electric controls	type		AC-controls	AC-controls	AC-controls	AC-controls	AC-controls	AC-controls	AC-controls	AC-controls	AC-controls	AC-controls
	6.4	Transmission	gear type		straight bevel	straight bevel	straight bevel	straight bevel	straight bevel	straight bevel	straight bevel	straight bevel	straight bevel	straight bevel
6.5	Hydraulic pressure	for attachments	bar	180	180	180	180	180	180	180	180	180	180	