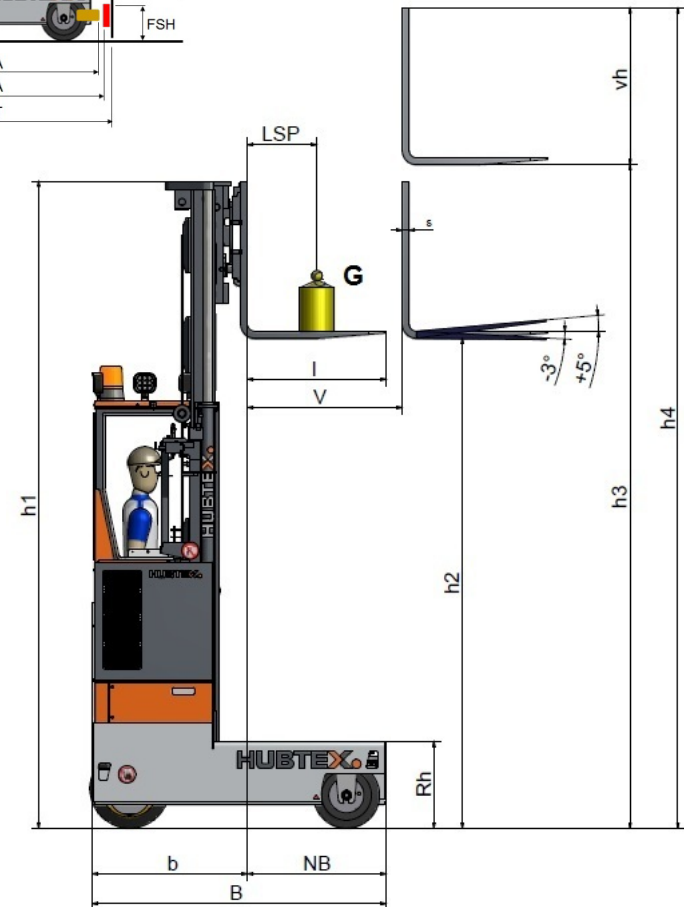
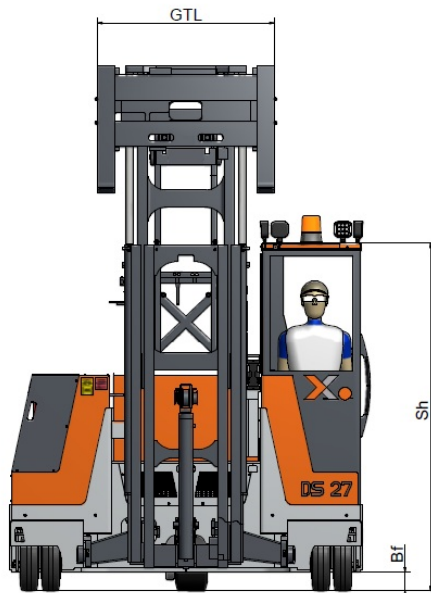
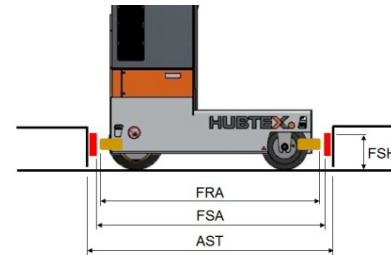
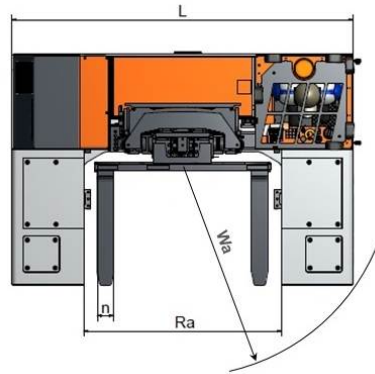


Series 3117 - EL, Model DS 27

HUBTEX.

- > 3-wheel Sideloader
- > Electric drive
- > Capacities up to 2700 kg
- > Lift heights up to 7500 mm
- > Loadbed width up to 1200 mm



ELECTRIC MULTIDIRECTIONAL SIDELOADER

Characteristics	1.1	Series			3117-EL
	1.2	Model	Manufacturer's identification		DS 27
	1.3	Capacity	Q at standard lift height	kg	2700
	1.4	Loadcenter	lc = distance	mm	400 / 500 / 600
	1.6	Power supply	electric / Diesel / LPG		electric
	1.7	Type of steering	V = fourway / M = multidirectional / 2 = toway		M
	1.71	Position of seat	Q = cross / D = diagonal / L = lateral / SU = stand up		SU
	1.8	Tyres	PU = Vulkollan / EL = elastic		EL
	1.9	Wheels (X = powered)	number	pcs.	5 / 1X
Dimensions	2.1	Mast	h3 = lift height standard / max.	mm	4500 / 5050 / 6100 / 7500
	2.21	Fork cross section	s / b = thickness / width	mm	45 / 120
	2.22	Fork length	l = NB from / to	mm	800 / 1000 / 1200
	2.23	Fork tilt	standard	degree	+5 / -3
	2.31	Overall dimensions	L = truck length	mm	2500
	2.32		Sh = height over cabin roof "SU"	mm	2465
	2.33		b = width to edge of forks	mm	895
	2.34		NB = loadbed width from / to	mm	800 / 1000 / 1200
	2.35		B = truck width (at NB 1200 mm)	mm	1695 / 1895 / 2095
	2.36		Rh = loadbed height	mm	500
	2.37		Eh = entrance height	mm	420
	2.38		Ra = loadbed opening	mm	1450
	2.4	Mast reach	V (at NB 1200 mm)	mm	1300
2.52	Aisle width	AST (at NB 1200 mm)	mm	1895 - 3095	
Wght.	3.1	Empty weight	incl. battery	appr. kg	5600
	3.2	Floor load	incl. nominal load (static)	N/cm²	300 - 350
Performance	4.1	Stability	according to CE-regulations	yes/no	yes
	4.21	Speeds	travel speed with / without nominal load	km/h	7 / 7
	4.22		lifting speed with / without nominal load	m/s	0,28 / 0,35
	4.23		lowering speed with / without nominal load	m/s	0,38 / 0,28
	4.24		max. travel speed with / without nominal load	m/s	0,18 / 0,18
	4.31	Ramp capability	max. with / without nominal load	%	4 / 6
Wheels + tyres	5.11	Tyres	number load side / drive side	pcs.	4 / 1
	5.12		dimensions load wheels	mm	381 x 127 (solid rubber)
	5.13		dimensions drive wheels	mm	457 x 229 (solid rubber)
	5.3	Ground clearance		mm	135
	5.41	Service brakes			v. dr. p. act. electr. plugging br.
	5.42	Parking brake			spring-l. brake with electrom. rel.
Drive unit	6.11	Battery	capacity	V/Ah	48 V - 4 EPzS - 500 Ah - DIN B
	6.12		minimum weight	kg	755 / 935
	6.21	Electric motors	drive motor rating (s2 = 60 min)	kW	1 x 4,0
	6.22		lifting and steering motor rating	kW	1 x 8,0 + 1 x 3,0
	6.31	Electric controls	type		AC-controls
	6.4	Transmission	gear type		planetary
	6.5	Hydraulic pressure	for attachments	bar	190