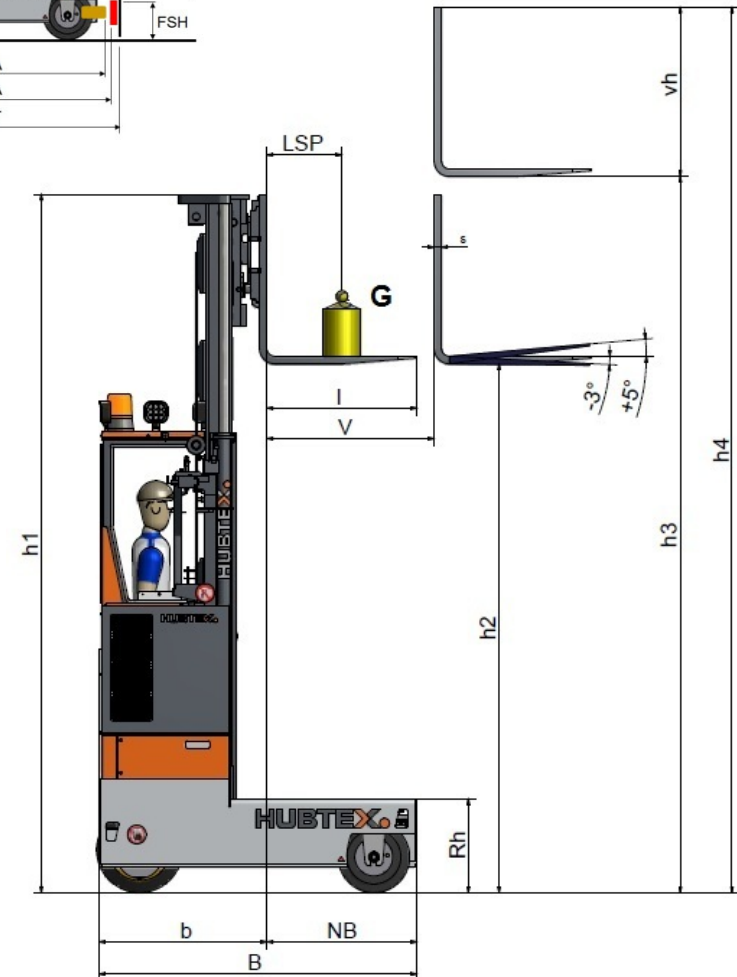
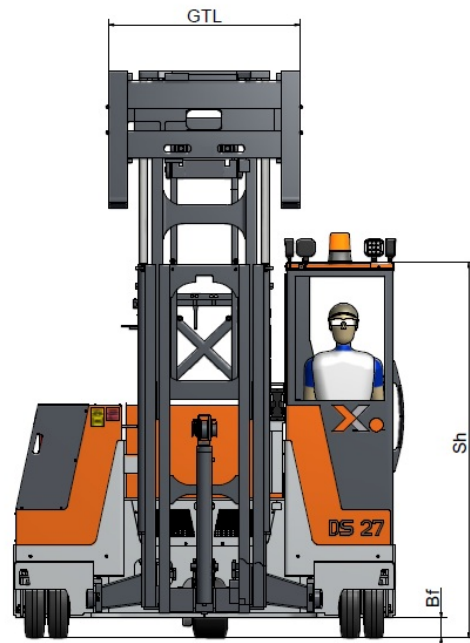
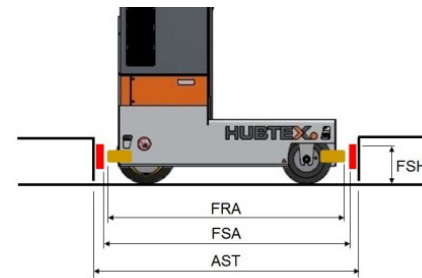
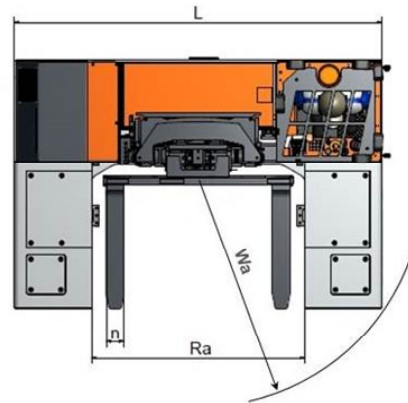


# Series 3117 - EL, Model DS 30

# HUBTEX.

- > 3-wheel Sideloader
- > Electric drive
- > Capacities up to 3000 kg
- > Lift heights up to 7500 mm
- > Loadbed width up to 1200 mm



## ELECTRIC MULTIDIRECTIONAL SIDELOADER

|                 |             |                        |  |                   |                                     |
|-----------------|-------------|------------------------|--|-------------------|-------------------------------------|
| Characteristics | 1.1         | Series                 |  |                   | 3117-EL                             |
|                 | 1.2         | Model                  | Manufacturer's identification                          |                   | DS 30                               |
|                 | 1.3         | Capacity               | Q at standard lift height                              | kg                | 3000                                |
|                 | 1.4         | Loadcenter             | lc = distance  | mm                | 400 / 500 / 600                     |
|                 | 1.6         | Power supply           | electric / Diesel / LPG                                |                   | electric                            |
|                 | 1.7         | Type of steering       | V = fourway / M = multidirectional / 2 = twoway        |                   | M                                   |
|                 | 1.71        | Position of seat       | Q = cross / D = diagonal / L = lateral / SU = stand up |                   | SU                                  |
|                 | 1.8         | Tyres                  | PU = Polyurethane / EL = Elastic                       |                   | EL                                  |
|                 | 1.9         | Wheels (X = powered)   | number   | pcs.              | 5 / 1X                              |
| Dimensions      | 2.1         | Mast                   | h3 = lift height standard / max.                       | mm                | 4500 / 5050 / 6100 / 7500           |
|                 | 2.21        | Fork cross section     | s / b = thickness / width                              | mm                | 45 / 120                            |
|                 | 2.22        | Fork length            | l = NB from / to                                       | mm                | 800 / 1000 / 1200                   |
|                 | 2.23        | Fork tilt              | standard   | degree            | +5 / -3                             |
|                 | 2.31        | Overall dimensions     | L = truck length                                       | mm                | 2500                                |
|                 | 2.32        |                        | Sh = height over cabin roof "SU"                       | mm                | 2465                                |
|                 | 2.33        |                        | b = width to edge of forks                             | mm                | 895                                 |
|                 | 2.34        |                        | NB = loadbed width from / to                           | mm                | 800 / 1000 / 1200                   |
|                 | 2.35        |                        | B = truck width (at NB 1200 mm)                        | mm                | 1695 / 1895 / 2095                  |
|                 | 2.36        |                        | Rh = loadbed height                                    | mm                | 500                                 |
|                 | 2.37        |                        | Eh = entrance height                                   | mm                | 420                                 |
|                 | 2.38        |                        | Ra = loadbed opening                                   | mm                | 1450                                |
|                 | 2.4         | Mast reach             | V (at NB 1200 mm)                                      | mm                | 1300                                |
| 2.52            | Aisle width | AST (at NB 1200 mm)    | mm   | 1895 - 3095       |                                     |
| Wght.           | 3.1         | Empty weight (approx.) | incl. battery (with standard equipment)                | kg                | 5600                                |
|                 | 3.2         | Floor load (approx.)   | incl. nominal load (static)                            | N/cm <sup>2</sup> | 300 - 350                           |
| Performance     | 4.1         | Stability              | according to CE-regulations                            | yes/no            | yes                                 |
|                 | 4.21        | Speeds                 | travel speed with / without nominal load               | km/h              | 7 / 7                               |
|                 | 4.22        |                        | lifting speed with / without nominal load              | m/s               | 0,28 / 0,35                         |
|                 | 4.23        |                        | lowering speed with / without nominal load             | m/s               | 0,38 / 0,28                         |
|                 | 4.24        |                        | mast travel speed with / without nominal load          | m/s               | 0,18 / 0,18                         |
|                 | 4.31        | Ramp capability        | max. with / without nominal load                       | %                 | 4 / 6                               |
| Wheels + tyres  | 5.11        | Tyres                  | number load side / drive side                          | pcs.              | 4 / 1                               |
|                 | 5.12        |                        | dimensions load wheels                                 | mm                | 381 x 127 (solid rubber)            |
|                 | 5.13        |                        | dimensions drive wheels                                | mm                | 457 x 229 (solid rubber)            |
|                 | 5.3         | Ground clearance       |  | mm                | 135                                 |
|                 | 5.41        | Service brakes         |  |                   | v. dr. p. act. electr. plugging br. |
|                 | 5.42        | Parking brake          |  |                   | spring-l. brake with electrom. rel. |
| Drive unit      | 6.11        | Battery                | capacity   | V/Ah              | 48 V - 4 PzS - 500 Ah - DIN B       |
|                 | 6.12        |                        | minimum weight   | kg                | 755 / 935                           |
|                 | 6.21        | Electric motors        | drive motor rating (s2 = 60 min)                       | kW                | 1 x 4,0                             |
|                 | 6.22        |                        | lifting and steering motor rating                      | kW                | 1 x 8,0 + 1 x 3,0                   |
|                 | 6.31        | Electric controls      | type   |                   | AC-controls                         |
|                 | 6.4         | Transmission           | gear type  |                   | planetary                           |
|                 | 6.5         | Hydraulic pressure     | for attachments  | bar               | 190                                 |